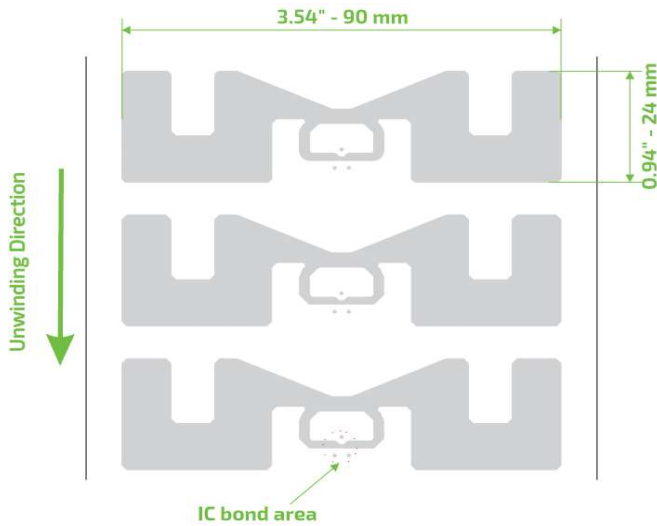


CCRR E68 90x24

UHF RFID 860 to 960 MHz

Product Design



Description

Versatile inlay, suitable for serialize a variety of items, and it's acceptable in a wide range of materials, such as: wood, plastic, cardboard, rubber, cotton fabric, and denim.

Market Applications

- Sports event
- Asset management
- Supply chain, inventory and logistics
- Car access control
- Luggage tracking

Key Benefits

- Long distance reading
- Agile counting
- Traceability

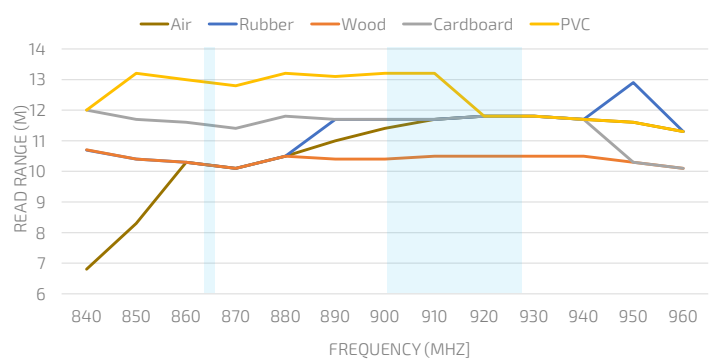
TECHNICAL SPECIFICATION	
Size	Antenna 90x24 mm
Web	98 mm / 3.86"
Pitch	31.115 mm / 1.225"
Gap	7.115 mm / 0.280"
SKU	IN00008 Inlay E68 R6 IN00009 Inlay E68 R6-P IN00111 Inlay E68 R6B
Standards	RAIN RFID ISO 18000-63 and EPC Global Gen2v2
Integrated Circuit	R6 TID 96 bits EPC: 96 bits, User: none R6-P 48 uniques EPC: 96/128 bits, User: 64/32 bits R6-B EPC: 96 bits, User: None
Formats	Dry Inlay, Wet Inlay, Sticker Labels, and RFID tags could be developed according to the necessity
Substrate	PET with aluminum antenna
Roll	Qty Max. Diameter Core Size
Dry Inlay	22,000 < 398,8 mm / < 15,7" 76.2 mm / 3"
Thickness*	62 - 67 microns
Temperature	-40 °C to 85°C for operation -40 °C to 85/125 °C for storage

* The thickness excludes the spacer tape.

Structure



Read range



All graphs are generated in laboratory. Real-life performance may vary.
Reader power: 29 dBm. Antenna sensitivity: -70 dBm.

Angular Sensitivity

