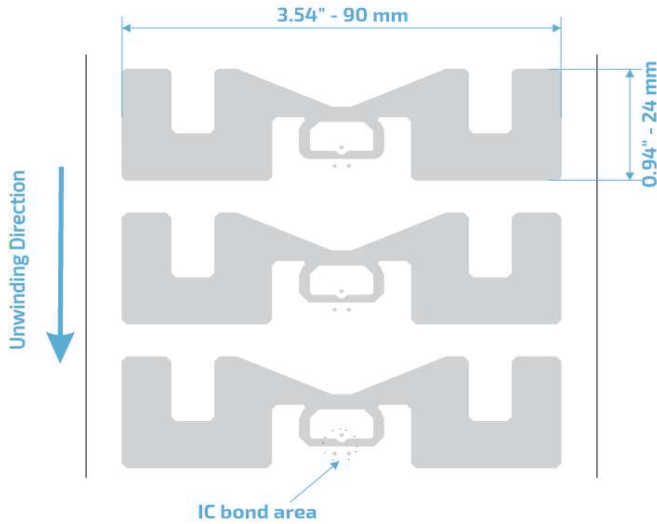


E68 90x24

UHF RFID 860 to 960 MHz

Product Design



Description

Versatile inlay, suitable for serialize a variety of items, and it's acceptable in a wide range of materials, such as: wood, plastic, cardboard, rubber, cotton fabric, and denim.

Market Applications

- Sports event
- Asset management
- Supply chain, inventory and logistics
- Car access control
- Luggage tracking

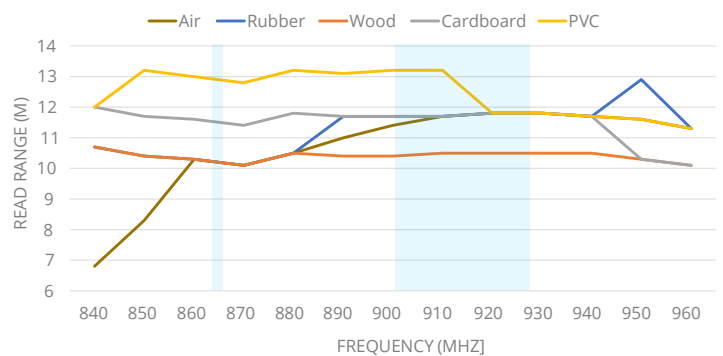
Key Benefits

- Long distance reading
- Agile counting
- Traceability

TECHNICAL SPECIFICATION			
Size	Antenna 90x24 mm		
Web	98 mm / 3.86"		
Pitch	31.115 mm / 1.225"		
Gap	7.115 mm / 0.280"		
SKU	IN00008	Inlay E68 R6	
	IN00009	Inlay E68 R6-P	
	IN00111	Inlay E68 R6B	
Standards	RAIN RFID ISO 18000-63 and EPC Global Gen2v2		
Integrated Circuit	R6	TID 96 bits	EPC: 96 bits, User: none
	R6-P	48 uniques	EPC: 96/128 bits, User: 64/32 bits
	R6-B		EPC: 96 bits, User: None
Formats	Dry Inlay, Wet Inlay, Sticker Labels, and RFID tags could be developed according to the necessity		
Substrate	PET with aluminum antenna		
Roll	Qty	Max. Diameter	Core Size
	Dry Inlay	22,000	< 398,8 mm / < 15,7"
Thickness*	62 - 67 microns		
Temperature	-40 °C to 85°C for operation		
	-40 °C to 85/125 °C for storage		

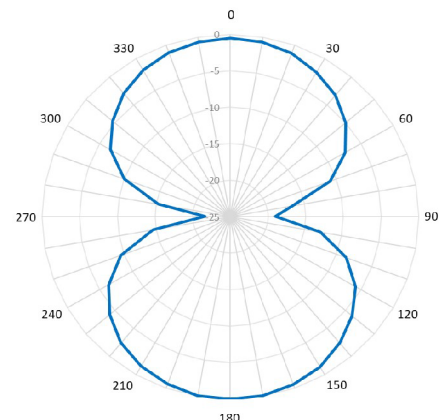
* The thickness excludes the spacer tape.

Read range



All graphs are generated in laboratory. Real-life performance may vary. Reader power: 29 dBm. Antenna sensitivity: -70 dBm.

Angular Sensitivity



Structure

