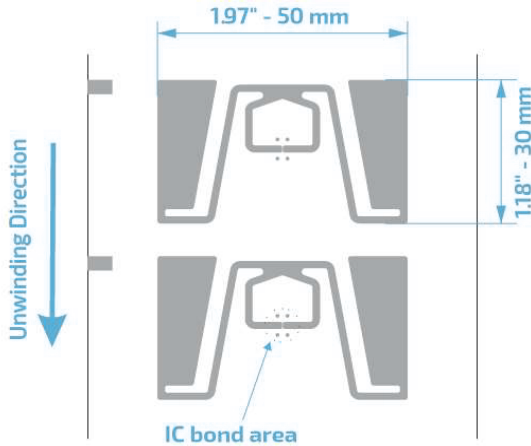


H61 50x30

UHF RFID 860 to 960 MHz

Product Design



Description

Designed to meet the requirements of reading performance in data collection in the most variable industries.

Market Applications

- Logistics and supply chain
- Warehouse
- Retail
- Footwear
- Asset management

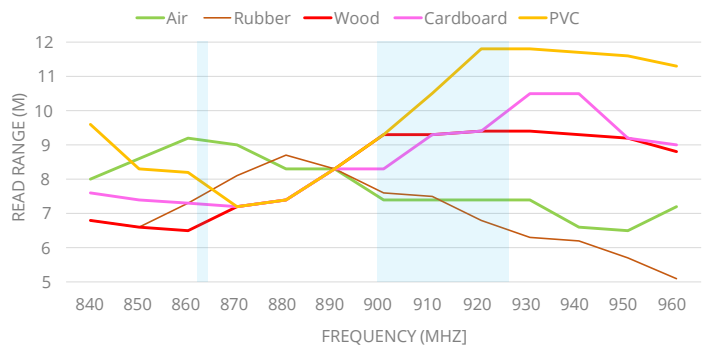
Key Benefits

- Traceability
- Inventory accuracy
- High read range

TECHNICAL SPECIFICATION			
Size	Antenna	Register mark	
	50x30 mm	5x3 mm	
Web	78 mm / 3.07"		
Pitch	36.83 mm / 1.45"		
Gap	6.83 mm / 0.27"		
SKU	IN00033	Inlay H61 R6	
	IN00034	Inlay H61 R6-P	
	IN00133	Inlay H61 R6-B	
Standards	RAIN RFID ISO 18000-63 and EPC Global Gen2v2		
Integrated Circuit	R6	TID 96 bits	EPC: 96 bits, User: none
	R6-P	48 uniques	EPC: 96/128 bits, User: 64/32 bits
	R6-B		EPC: 96 bits, User: None
Formats	Dry Inlay, Wet Inlay, Sticker Labels, and RFID tags could be developed according to the necessity		
Substrate	PET with aluminum antenna		
Roll	Qty	Max. Diameter	Core Size
	20,000	< 398,8 mm / < 15,7"	76.2 mm / 3"
Thickness*	62 - 67 microns		
Temperature	-40 °C to 85°C for operation		
	-40 °C to 85/125 °C for storage		

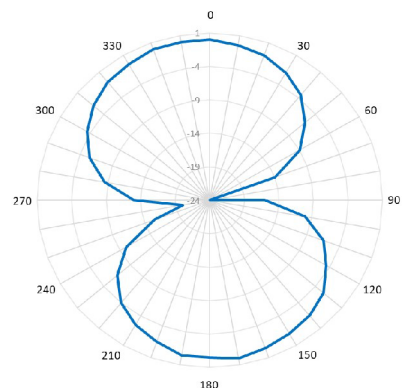
* The thickness excludes the spacer tape.

Read range



All graphs are generated in laboratory. Real-life performance may vary. Reader power: 29 dBm. Antenna sensitivity: -70 dBm.

Angular Sensitivity



Structure

